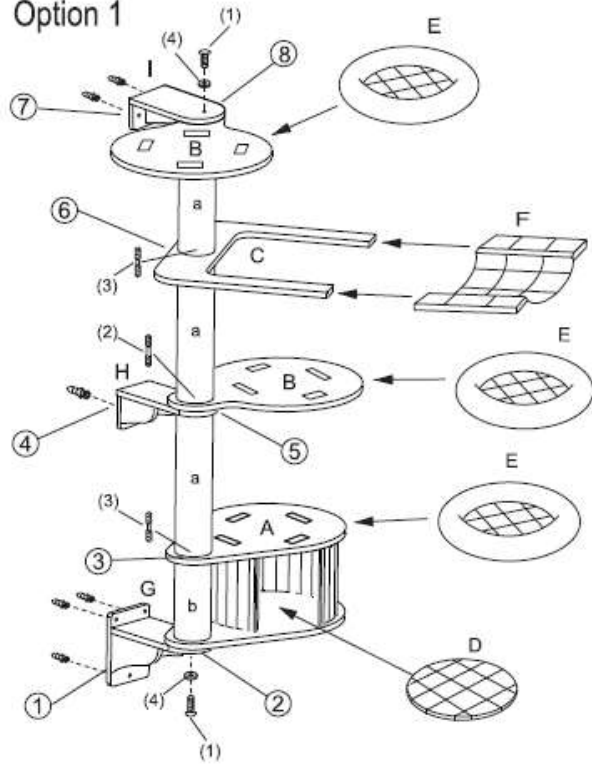
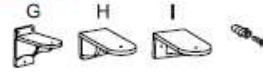


### Option 1



6 dowels are needed to fix the tree using detail "G, H, I" to the wall. Please note that these dowels are not included and depend on your type of wall



### Option 2



### Option 3



- |    |  |   |    |  |   |    |  |          |    |  |     |
|----|--|---|----|--|---|----|--|----------|----|--|-----|
| 1X |  | A | 1X |  | F | 3X |  | (45cm)   | 2X |  | (1) |
| 2X |  | B | 1X |  | G | 1X |  | (25,3cm) | 1X |  | (2) |
| 1X |  | C | 1X |  | H |    |  |          | 2X |  | (3) |
| 1X |  | D | 1X |  | I |    |  |          | 2X |  | (4) |
| 3X |  | E |    |  |   |    |  |          | 1X |  |     |

LA 99397

Made in Georgia